



SKYWORKS®

New Product Announcement

| New Front-end Module Powering Wi-Fi 6 Applications

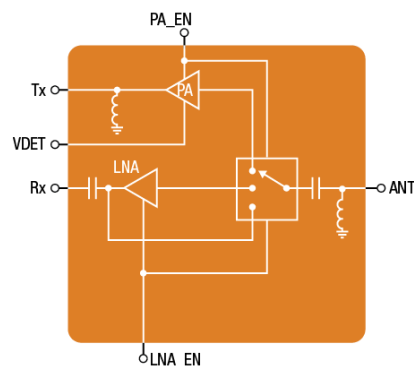
Skyworks is pleased to introduce the [SKY85772-11](#), a new addition to our family of front-end modules (FEMs) that are designed for growing retail, carrier and enterprise Wi-Fi 6 applications. The 5 GHz FEM offers best-in-class power and linearity for devices such as access points, routers and gateways. The module's logarithmic power detector allows for wide dynamic power range and its harmonics are FCC compliant, reducing filtering requirements. The solution also delivers 2 dB higher gain, improving linearity when compared to system-on-chip (SoC) architectures.

Features:

- 15 dBm @ -43 dB DEVM provides *ability to support 1024 QAM applications*
- Logarithmic power detector *provides wide dynamic power range*
- *Harmonics are FCC compliant, reducing filtering requirements*
- 50 dB ANT to RX *improves system-level linearity*

Sales and Technical Support

Pricing depends on quantities. Please contact a sales representative at sales@skyworksinc.com or visit the company's website at www.skyworksinc.com for more information.



About Skyworks

Skyworks Solutions, Inc. is empowering the wireless networking revolution. Our highly innovative analog semiconductors are connecting people, places and things spanning a number of new and previously unimagined applications within the aerospace, automotive, broadband, cellular infrastructure, connected home, industrial, medical, military, smartphone, tablet and wearable markets. Skyworks is a global company with engineering, marketing, operations, sales and support facilities located throughout Asia, Europe and North America and is a member of the S&P 500® and Nasdaq-100® market indices (Nasdaq: SWKS). For more information, please visit Skyworks' website at: www.skyworksinc.com.

